

Tanaka

Parts Catalog

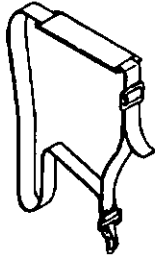
Portable Edger

Model: TPE-2110

TPE-2110

OPTIONS AND ACCESSORIES

SHOULDER STRAP

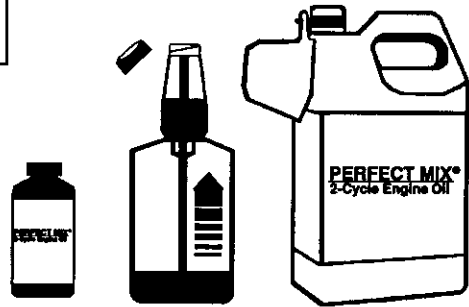


PSS-175

MANUALS / CATALOGS

211672 Owner's Manual
DPL-PE210-HST Parts Catalog

PERFECT MIX® 2-Cycle Engine Oil



700109 2.8 oz. Bottle, 1 Gallon Size (24*)
700108 16 oz. Self-measuring Bottle (24*)
700110 1 Gallon Jug Commercial Size (6*)
* Case Quantity

SPECIAL TOOLS

215432 Pressure Test Tool	111124 T-27 Torx Drive 3.5"
217720 Torx Drive Set	323330 Ignition Tester
222785 T-25 Torx Drive 3.5	91424 Tachometer
009-29323-500 Piston Pin Remover	

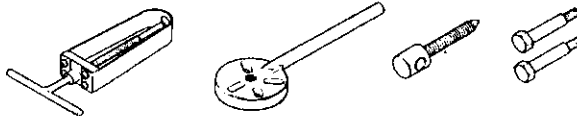


FIGURE 1

ENGINE ASSEMBLY

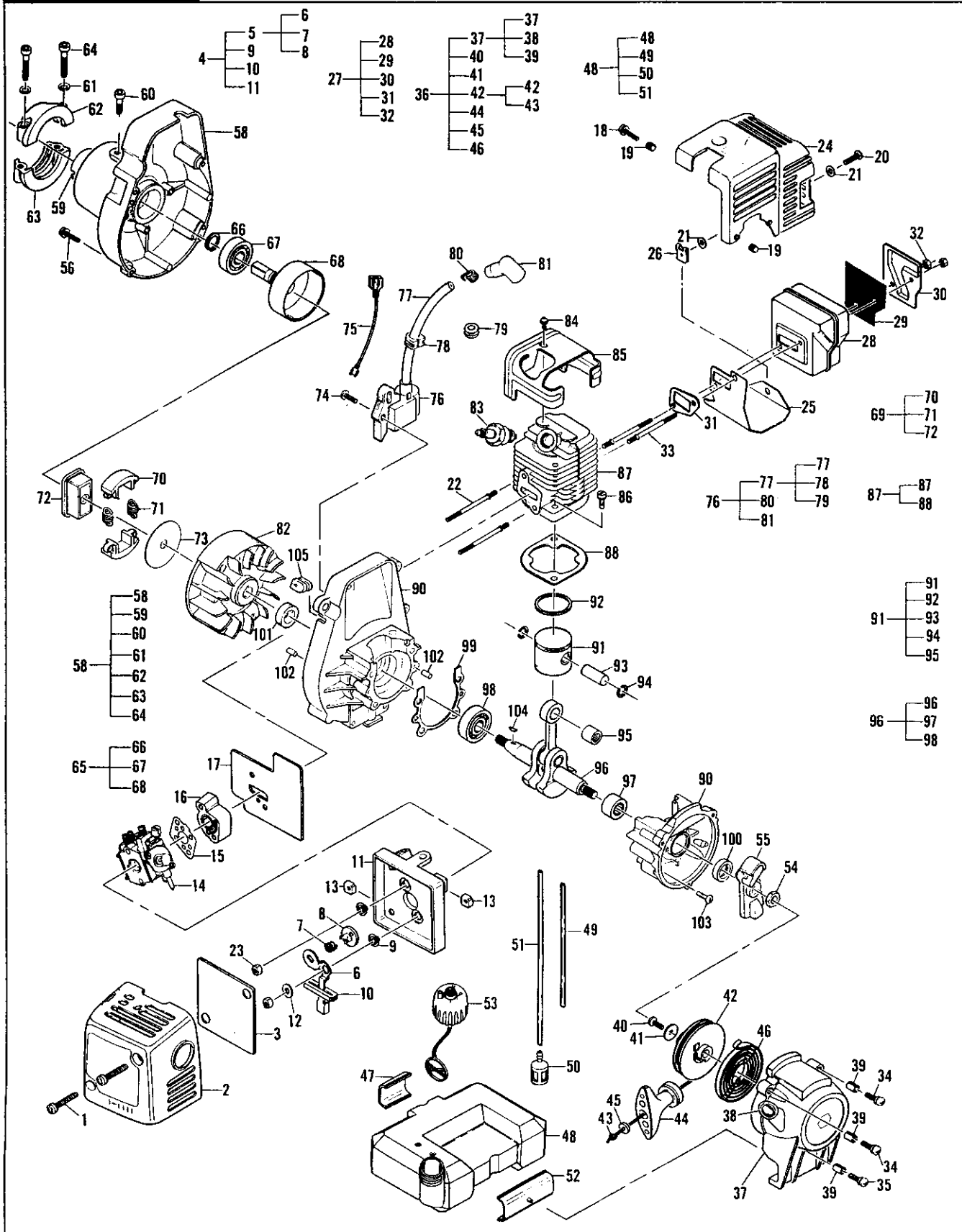


FIGURE 1

TPE-2110 PARTS LISTING

REF.	PART NO.	PART DESCRIPTION	Q	C	S	SERIAL NO.	REMARKS
1	216027	SCREW, M5X28.5mm	2		C		
2	227694	COVER, AIR CLEANER	1		C		
3	227023	FILTER, AIR	1		C		
4	302029	BOX, AIR ASS'Y	1		C		
5	223730	KIT, CHOKE ASS'Y	1		D		
6	~~~	* SHUTTER, CHOKE LEVER	1				
7	219016	SPRING, SHUTTER	1		C		
8	~~~	* PLATE, CHOKE SHUTTER	1				
9	227022	BUSHING	2		C		
10	215992	GROMMET	1		D		
11	~~	* AIR BOX	1				
12	216591	WASHER, FLAT	1		C		
13	229524	NUT	2		C		
14	323702-02	CARBURETOR, ASS'Y	1		C		SEE FIG. 3
15	224148	GASKET, CARBURETOR	1		C		
16	223984	INSULATOR, CARB.	1		D		
17	224315	GASKET, SHIELD INSULATOR	1		C		
18	219508	SCREW, MUFFLER SHIELD	2		C		
19	229121	BUSHING	4		C		
20	215874	SCREW, M4X9.5mm	1		D		
21	68497	WASHER	2		C		
22	300139	STUD, INTAKE	2		C		
23	216585	NUT, LOCK	2		C		
24	227695	SHIELD, MUFFLER	1		C		
25	323760	SHIELD, MUFFLER, HEAT	1		B		
26	224350	NUT	1		C		
27	300632	KIT, MUFFLER	1		C		
28	301833	MUFFLER	1		C		
29	322018	SCREEN, SPARK ARRESTOR	1		C		
30	322017	PLATE, DEFLECTOR	1		C		
31	323829	GASKET, MUFFLER	1		C		
32	235642	NUT	2		C		
33	323419	STUD, MUFFLER	2		C		
34	216022	SCREW, M4X21.4mm	2		C		
35	217669	SCREW, M4X25mm	1		C		
36	301355	STARTER, ASS'Y	1		C		
37	301356	HOUSING, STARTER	1		C		
38	218932	GUIDE, ROPE	1		C		
39	219585	SPACER, START HOUSING	3		C		
40	222800	SCREW, M4X9.5mm	1		D		
41	216590	WASHER, FLAT M4mm	1		C		
42	301252	DRUM, ROPE, ASS'Y	1		C		

* Indicates the part is included in a kit or assembly and is not available individually. Q=Quan. used C=Interchangeability S=Stocking code: A=Fast moving B=Med. fast move C=Med. move D=Slow move E=N.L.A. F=Superceded or replaced by a new part.

FIGURE 1 cont.

TPE-2110 PARTS LISTING

REF.	PART NO.	PART DESCRIPTION	Q	C	S	SERIAL NO.	REMARKS
43	216093	ROPE, STARTER, 36"	1		D		
44	216792	HANDLE, STARTER	1		D		
45	218941	WASHER, NYLON	1		D		
46	300474	SPRING, STARTER	1		C		
47	217390	CUSHION, TANK	1		C		
48	222239	TANK, FUEL, ASS'Y	1		C		
49	217264	HOSE, FUEL	1		C		
50	300869	FILTER, FUEL	1		B		
51	222238	HOSE, FUEL RETURN	1		C		
52	217382	CUSHION, TANK	1		C		
53	301376	KIT, FUEL CAP/DECAL	1		A		
54	216583	NUT, HEX M8mm	1		C		(Torque to 150~170 in./lbs.)
55	225037	PAWL, STARTER ASS'Y	1		C		
56	213177	SCREW, TORX	4		D		
58	323141	HOUSING, ASS'Y	1		C		
59	----	* MOUNT, ANTI-VIB	1				
60	236381	SCREW, M5X10mm	1		C		
61	236529	WASHER	2		C		
62	227700-68	CLAMP, UPPER, ORANGE	1		C		
63	227701-68	CLAMP, LOWER, ORANGE	1		C		
64	235804	SCREW M5X30mm	2		C		
65	218065	DRUM, CLUTCH ASS'Y	1		C		
66	213186	RING, RETAINING	1		C		
67	213187	BEARING, BALL	1		D		
68	----	* DRUM, CLUTCH	1				
69	217554	CLUTCH ASS'Y	1		C		
70	----	* SHOE, CLUTCH	2				
71	223770	SPRING, CLUTCH	2		C		
72	215536	ROTOR, CLUTCH	1		D		
73	215539	PLATE, SIDE	1		C		
74	216022	SCREW, M4X21.4mm	2		C		
75	219383	WIRE, SWITCH ASS'Y	1		C		
76	302138	IGNITION ASS'Y	1		C		
77	223884	KIT, SPARK PLUG WIRE	1		C		
78	215533-01	GROMMET, H/T LEAD	1		C		
79	110995	GROMMET, PLUG WIRE	1		C		
80	102556	CONNECTOR	1		C		
81	95266	BOOT, PLUG	1		C		
82	222308	FLYWHEEL, ROTOR	1		C		
83	322189	PLUG, SPARK DJ7Y	1		C		
84	213178	SCREW M5X8.5mm	1		D		
85	215540-01	COVER, CYLINDER	1		C		

* Indicates the part is included in a kit or assembly and is not available individually. Q=Quan. used C=Interchangeability S=Stocking code: A=Fast moving B=Med. fast move C=Med. move D=Slow move E=N.L.A. F=Superseded or replaced by a new part.

FIGURE 1 cont.

TPE-2110 PARTS LISTING

REF.	PART NO.	PART DESCRIPTION	Q	C	S	SERIAL NO.	REMARKS
86	217320	SCREW, M6X18mm	2		D		
87	224448-01	CYLINDER, ASS'Y	1		C		
88	323716	GASKET, CYLINDER	1		B		
90	302026	CRANKCASE, ASS'Y	1		C		
91	301443	KIT, PISTON	1		C		
92	323611	RING, PISTON	1		B		
93	218275	PIN, PISTON	1		D		
94	111026	RING, SNAP	2		D		
95	110984	BEARING, NEEDLE	1		D		
96	301273	CRANKSHAFT, ASS'Y	1		C		
97	213282	BEARING, ROLLER	1		C		
98	216143	BEARING, BALL	1		C		
99	215545	GASKET, CRANKCASE	1		D		
100	83859	SEAL, OIL	1		C		
101	216500	SEAL, OIL	1		C		
102	213191	PIN, LOCATOR	4		D		
103	216027	SCREW, M5X28.5mm	4		C		
104	102164	KEY, FLYWHEEL	1		C		
105	215541	GROMMET	1		D		

* Indicates the part is included in a kit or assembly and is not available individually. Q=Quan. used C=Interchangeability S=Stocking code: A=Fast moving B=Med. fast move C=Med. move D=Slow move E=N.L.A. F=Superceded or replaced by a new part.

FIGURE 2

SHAFT/SHIELD/CUTTER

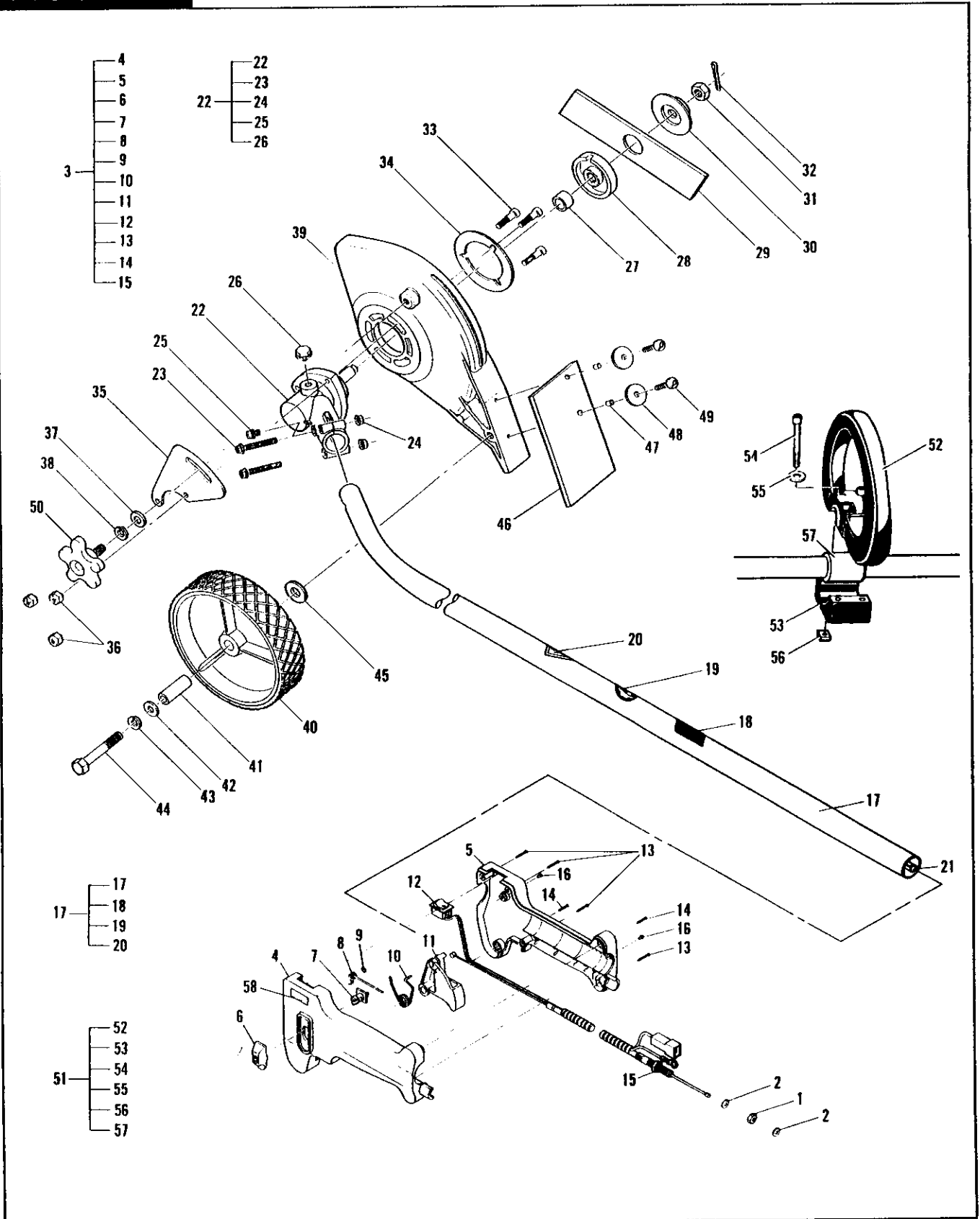


FIGURE 2

TPE-2110 PARTS LISTING

REF.	PART NO.	PART DESCRIPTION	Q	C	S	SERIAL NO.	REMARKS
1	217403	NUT, M6X1.0mm	1		C		
2	216596	WASHER, M6	2		C		
3	227280	HANDLE, ASS'Y	1		C		
4	229837	HANDLE, LEFT	1		C		
5	229836	HANDLE, RIGHT	1		C		
6	229824	SLIDE, THROTTLE CABLE	1		C		
7	229823	PIN	1		C		
8	229973	SPRING	1		B		
9	227065	RING	1		C		
10	227058	SPRING, TRIGGER	1		B		
11	227064	TRIGGER	1		B		
12	227067	WIRE, THROTTLE	1		B		
13	229846	SCREW, TC, 2.9X22mm	4		C		
14	227074	SCREW, 2.9X16, SELF THD.	2		C		
15	235912	NUT	1		B		
16	111012	SCREW, 4-40X0.31	2		C		
17	301605	HOUSING, OUTER, ASS'Y	1		C		
18	46750-65	DECAL, CAUTION, SHAFT	1		D		
19	223407	DECAL, EYE/EAR COVER	1		D		
20	223408	DECAL, WARNING, SHAFT	1		D		
21	301256	SHAFT, DRIVE ASS'Y	1		C		
22	323396	CASE, GEAR ASS'Y	1		C		
23	111185	BOLT, M5X40mm, HEX	2		C		
24	217159	NUT, M5mm, HEX	2		C		
25	216795	SCREW, M5X12mm, PHL.	1		C		
26	216832	BOLT, M8X8mm, HEX	1		C		
27	322009-01	SLEEVE, SPLINED	1		C		
28	323363	COLLAR	1		B		
29	301272	BLADE	1		B		
30	218075	FLANGE, SPINDLE	1		C		
31	216751	NUT, M10mm, HEX	1		C		
32	218159	PIN, COTTER	1		C		
33	111136	BOLT, SHOULDER, 10-24	3		C		
34	323618	PLATE, BACKUP	1		C		
35	323527	PLATE, ADJUSTMENT	1		C		
36	111135	NUT, 10-24, HEX LOCK	3		C		
37	110879	WASHER, M8mm	1		C		
38	111138	WASHER, LOCK	1		C		
39	323547	GUARD, SAFETY	1		C		
40	323024	WHEEL, 6"	1		C		
41	323020	SLEEVE, WHEEL	1		C		
42	110879	WASHER, M8mm	1		C		

* Indicates the part is included in a kit or assembly and is not available individually. Q=Quan. used C=Interchangeability S=Stocking code: A=Fast moving B=Med. fast move C=Med. move D=Slow move E=N.L.A. F=Superceded or replaced by a new part.

FIGURE 2 cont.

TPE-2110 PARTS LISTING

REF.	PART NO.	PART DESCRIPTION	Q	C	S	SERIAL NO.	REMARKS
43	111138	WASHER, LOCK	1		C		
44	111140	BOLT, 5/16-18X2.5	1		C		
45	111137	WASHER	1		C		
46	323022	FLAP	1		C		
47	219079	SPACER	2		C		
48	216633	WASHER	1		C		
49	111054	SCREW, 10-24X.625	2		C		
50	323021	KNOB	1		C		
51	224977	KIT, LOOP HANDLE	1		C		
52	227045	HANDLE, LOOP	1		C		
53	227046	CLAMP, HANDLE	1		C		
54	228320	SCREW, M6X0.8X45mm	4		C		
55	236936	WASHER	4		C		
56	236642	NUT	4		C		
57	224127	SPACER, HANDLE	1		C		
58	222831	DECAL, ON-OFF	1		D		

* Indicates the part is included in a kit or assembly and is not available individually. Q=Quan. used C=Interchangeability S=Stocking code: A=Fast moving B=Med. fast move C=Med. move D=Slow move E=N.L.A. F=Superseded or replaced by a new part.

FIGURE 3

CARBURETOR ASSEMBLY

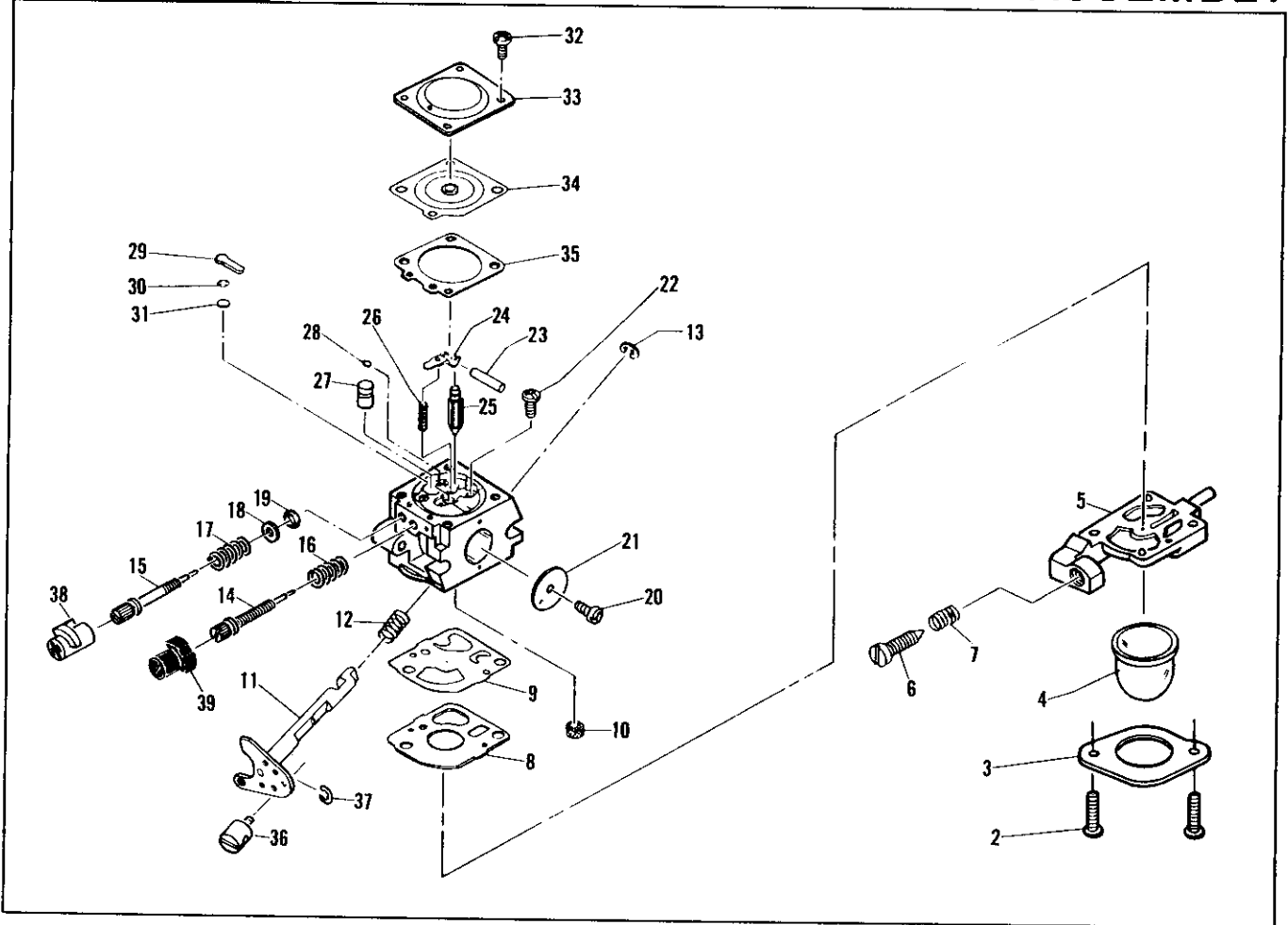


FIGURE 3

TPE-2110 PARTS LISTING

REF.	PART NO.	PART DESCRIPTION	Q	C	S	SERIAL NO.	REMARKS
1	323702-02	CARBURETOR, ASS'Y	1		C		
2	----	SCREW, PUMP COVER	2				
3	----	COVER, PRIMER PUMP	1				
4	223077	BULB, PRIMER	1		C		(1) Carb. Repair Kit
5	223913	COVER, FUEL PUMP, ASS'Y	1		C		224462
6	----	SCREW, IDLE ADJ.	1				
7	----	SPRING, IDLE SCREW	1				(2) Carb. Gasket/Diaphragm Kit
8	----	(1)(2) GASKET, FUEL PUMP	1				223833
9	----	(1)(2) DIAPHRAGM, FUEL PUMP	1				(3) Swivel-Carb Kit
10	----	(1) SCREEN, FUEL PUMP INLET	1				224466
11	----	SHAFT ASS'Y, THROTTLE	1				
12	----	(1) SPRING, THROTTLE RETURN	1				
13	----	RING, SHAFT RETAINER	1				
14	----	(1) NEEDLE, IDLE	1				
15	----	(1) NEEDLE, HIGH SPEED	1				
16	----	(1) SPRING, IDLE NEEDLE	1				
17	----	(1) SPRING, HI-SPEED NEEDLE	1				
18	----	(1) WASHER	1				
19	----	(1) "O" RING	1				
20	----	(1) SCREW, VALVE	1				
21	----	VALVE, THROTTLE	1				
22	----	(1) SCREW, METERING LEV. PIN	1				
23	----	(1) PIN, METERING LEVER	1				
24	----	(1) LEVER, METERING	1				
25	----	(1) VALVE, INLET NEEDLE	1				
26	----	(1) SPRING, METERING LEVER	1				
27	----	SEAT ASS'Y, CHECK VALVE	1				
28	----	(1) PLUG, WELCH 5/16	1				
29	----	(1) PLUG, WELCH 1/4	1				
30	----	(1) RING, SCREEN RETAINER	1				
31	----	(1) SCREEN, CHECK VALVE	1				
32	----	(1) SCREW, METERING COVER	4				
33	----	COVER, METERING DIAPHRAGM	1				
34	----	(1)(2) DIAPHRAGM ASS'Y, METER.	1				
35	----	(1)(2) GASKET, METERING DIAP.	1				
36	----	(3) SWIVEL	1				
37	----	(3) CLIP	1				
38	323601	CAP, LIMITER, HIGH	1		C		
39	323602	CAP, LIMITER, LOW	1		C		

(1) (2) Indicates the part is included in a kit or assembly and is not available individually. Q=Quan. used
C=Interchangeability S=Stocking code: A=Fast moving B=Med. fast move C=Med. move D=slow move E=N.L.A.
F=Superseded or replaced by a new part.