

# **Tanaka** Illustrated Parts Manual

Model Number:

**TBL-505**

**BACKPACK BLOWER**

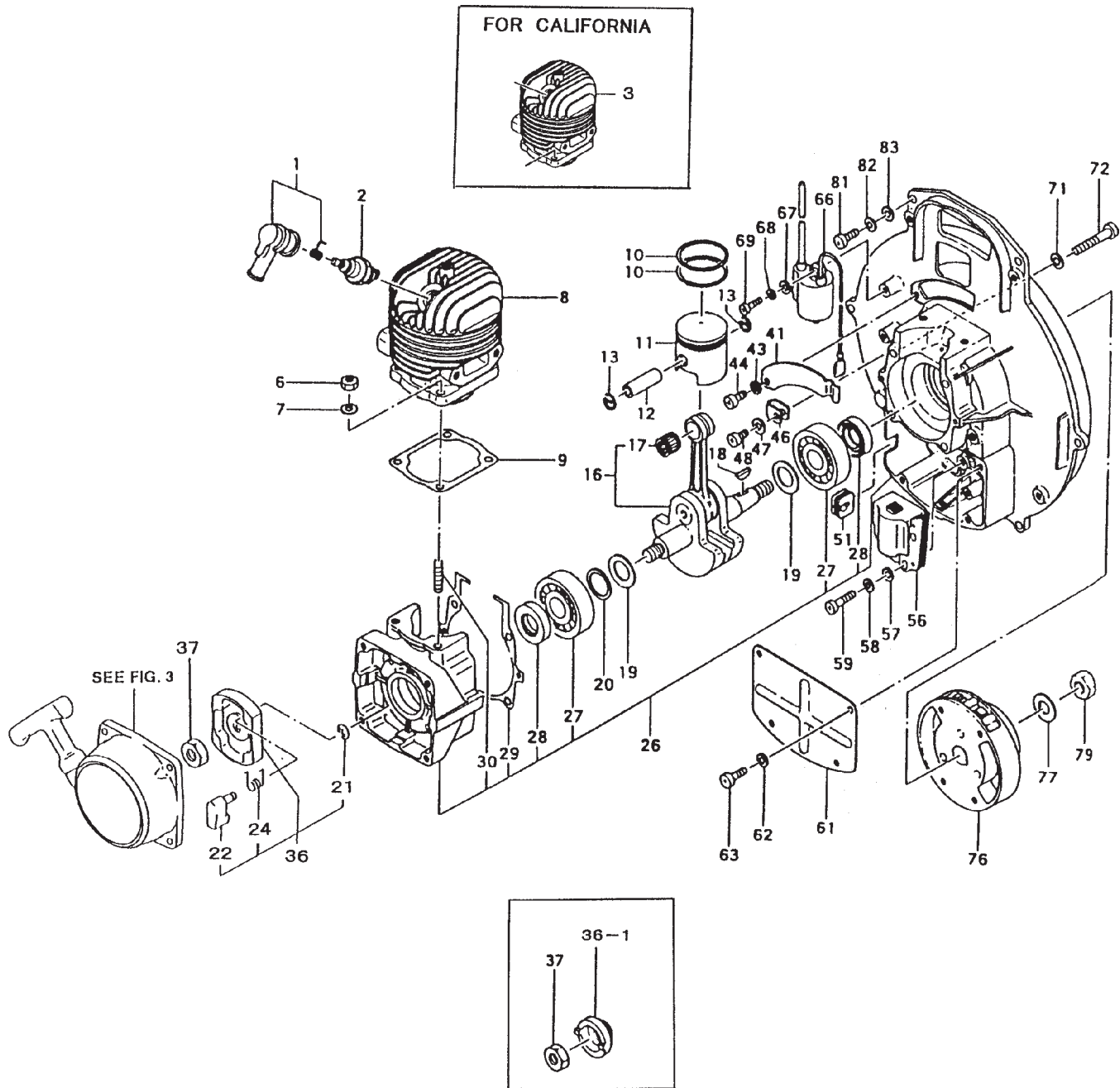
P/N 11152

Rev 001

Date 9-2-09

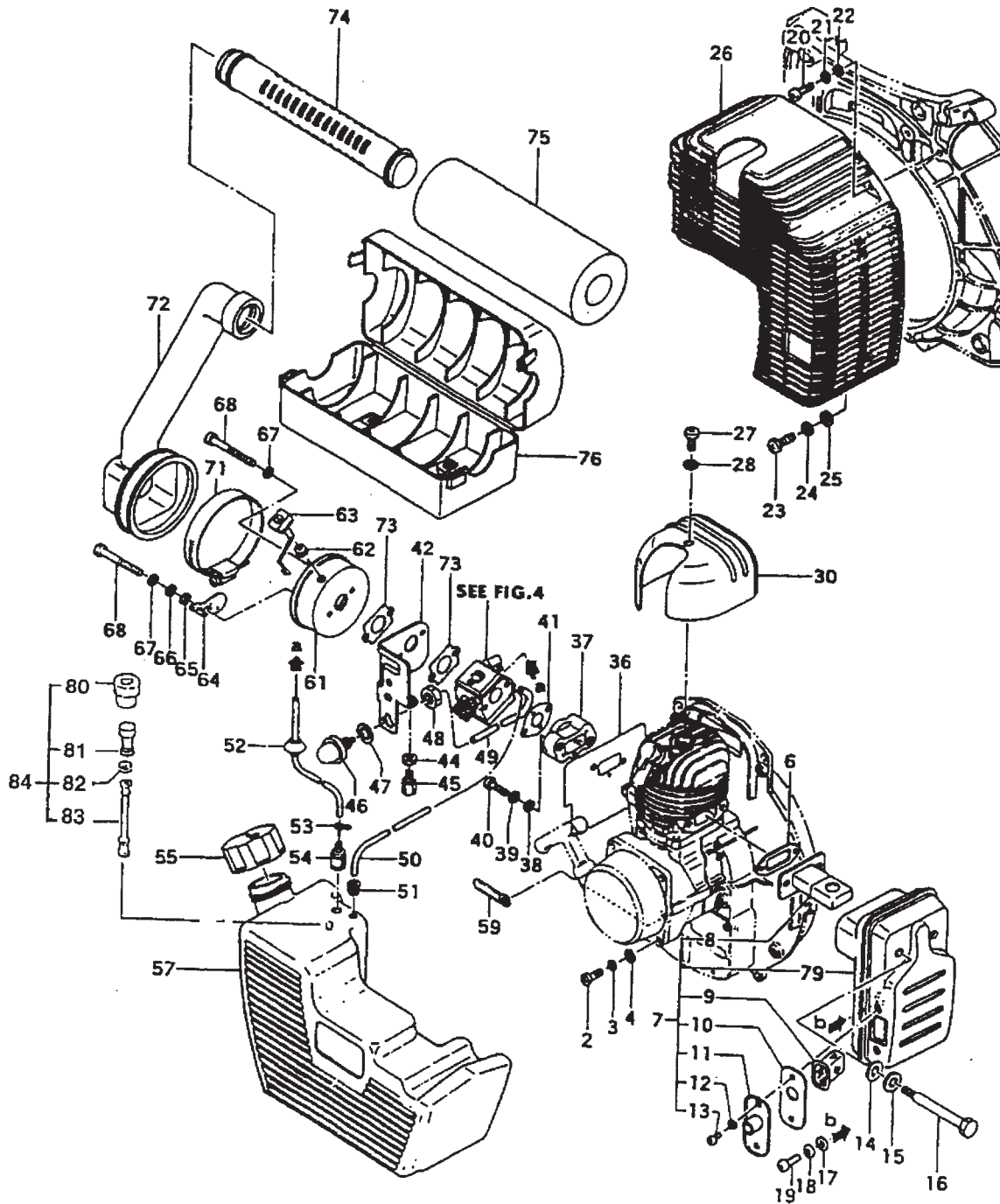


Nikko Tanaka Engineering U.S.A.,Ltd. • 1028 4<sup>th</sup> Street SW, Bldg B • Auburn, WA 98001 • Phone: (253) 333-1200 • Fax: (253) 333-1212



ITEM	PART NUMBER	DESCRIPTION	QTY	COMMENTS
1-1	15711666900	CAP, SPARK PLUG ASSEMBLY	1	
1-2	01802233200	PLUG, SPARK	1	
1-3	0020503220	CYLINDER	1	R203951~ CARB Approved units
1-6	99101060011	NUT,6	4	
1-7	99210060012	WASHER,S,6	4	
1-8	00205015201	CYLINDER	1	~R203650
1-8	0020502421	CYLINDER	1	R203651~
1-9	01702100202	GASKET,CYLINDER	1	
1-10	04105000200	RING,PISTON	2	
1-11	03105004810	PISTON	1	
1-12	0370100020	PIN,PISTON	1	
1-13	03905004200	CIRCLIP,PISTON PIN	2	
1-16	04605004831	CRANKSHAFT	1	
1-17	99962101004	BEARING,NEEDLE,F1010B	1	
1-18	06802000200	KEY,WOODRUFF,3X13X5	1	
1-19	07010700200	WASHER,CRANKSHAFT	2	
1-20	07111109200	SHIM,17.7X23X.05	1	
1-20	07111109210	SHIM,17.7X23X.10	1	
1-20	07111109220	SHIM,17.7X23X.15	1	Shims are "as needed to obtain correct
1-20	07111109230	SHIM,17.7X23X.20	1	c/s side clearance.
1-20	07111109240	SHIM,17.7X23X.30	1	
1-21	99355050000	RING,STOP,5	1	Q234211~
1-22	7880162V20	PAWL,STARTER	1	Q234211~
1-24	7900162V200	SPRING,PAWL,STARTER	1	Q234211~
1-26	0720503190	CRANKCASE ASSY	1	Includes bearings,seals,& gaskets
1-27	99961630312	BALL BEARING #6303	2	
1-28	99966173000	SEAL,OIL,#17307	2	
1-29	09005004211	GASKET,CRANKCASE	1	
1-30	10012000200	STUD,6X26	4	
1-36-1	79805015200	PULLEY,STARTER	1	~Q234210
1-36	7980422090	PAWL, STARTER ASSEMBLY	1	Q234211~
1-37	99111100013	NUT,10	1	
1-41	66505004201	PLATE,CASE	1	
1-43	99210050012	WASHER,S,5	1	
1-44	99011050101	SCREW,5X10	1	
1-46	19800701201	CLAMP,CORD	1	
1-47	99201050011	WASHER,5	1	
1-48	99011050101	SCREW,5X10	1	
1-51	2030604A202	GROMMET	1	
1-56	1622151980	EXCITER	1	
1-57	99200050011	WASHER,SMALL,5	2	
1-58	99210050012	WASHER,S,5	2	

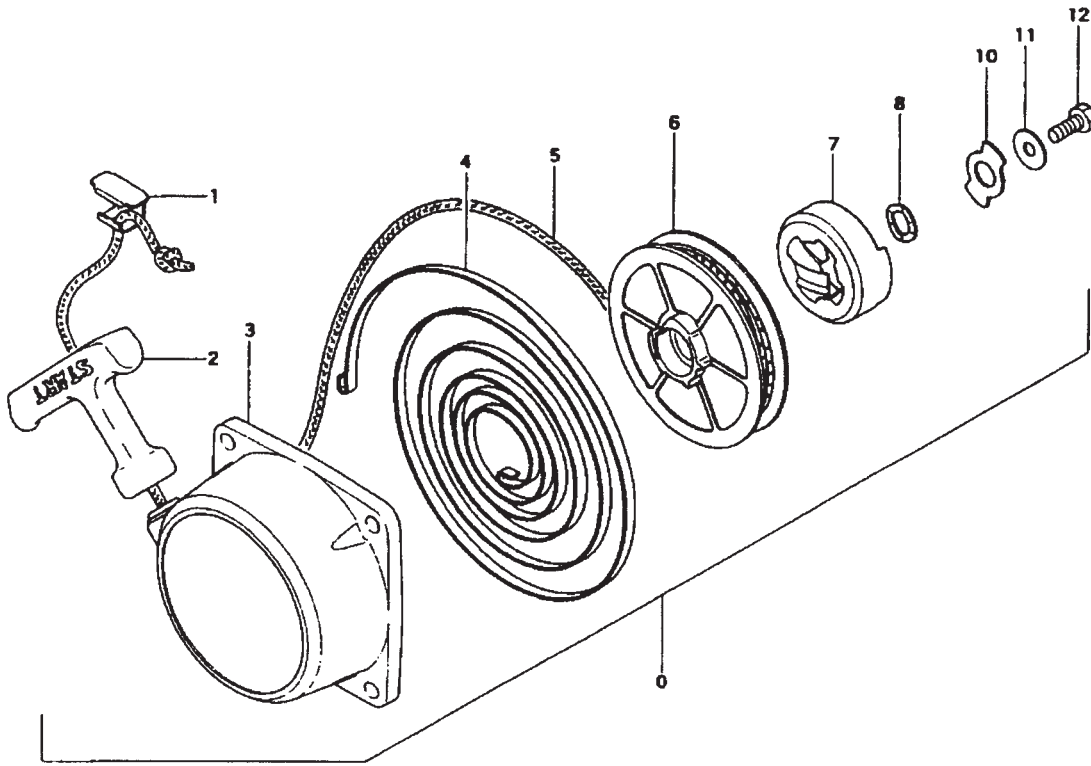
ITEM	PART NUMBER	DESCRIPTION	QTY	COMMENTS
1-59	99011050221	SCREW,5X22	2	
1-61	19505015201	COVER,COIL	1	
1-62	99210050012	WASHER,S,5	4	
1-63	99011050101	SCREW,5X10	4	
1-66	16721519802	COIL,IGNITION	1	
1-67	99201040011	WASHER,4	2	
1-68	99210040012	WASHER,S,4	2	
1-69	99011040151	SCREW,4X15	2	
1-71	99210060012	WASHER,S,6	4	
1-72	99011060351	SCREW,6X35	4	
1-76	15521519800	ROTOR,MAGNETO	1	~N013860
1-76	1552152680	ROTOR,MAGNETO	1	N013861~
1-77	99200100011	WASHER,10	1	
1-79	99111100011	NUT,10	1	
1-81	99011050151	SCREW,5X15	6	
1-82	99210050012	WASHER,S,5	6	
1-83	99201050011	WASHER,5	6	
1-84	SB-455	SHORT BLOCK,TBL-455/500/505	1	~R203650
1-84	SB-4610	SHORT BLOCK,TBL-460,505C	1	R203651~



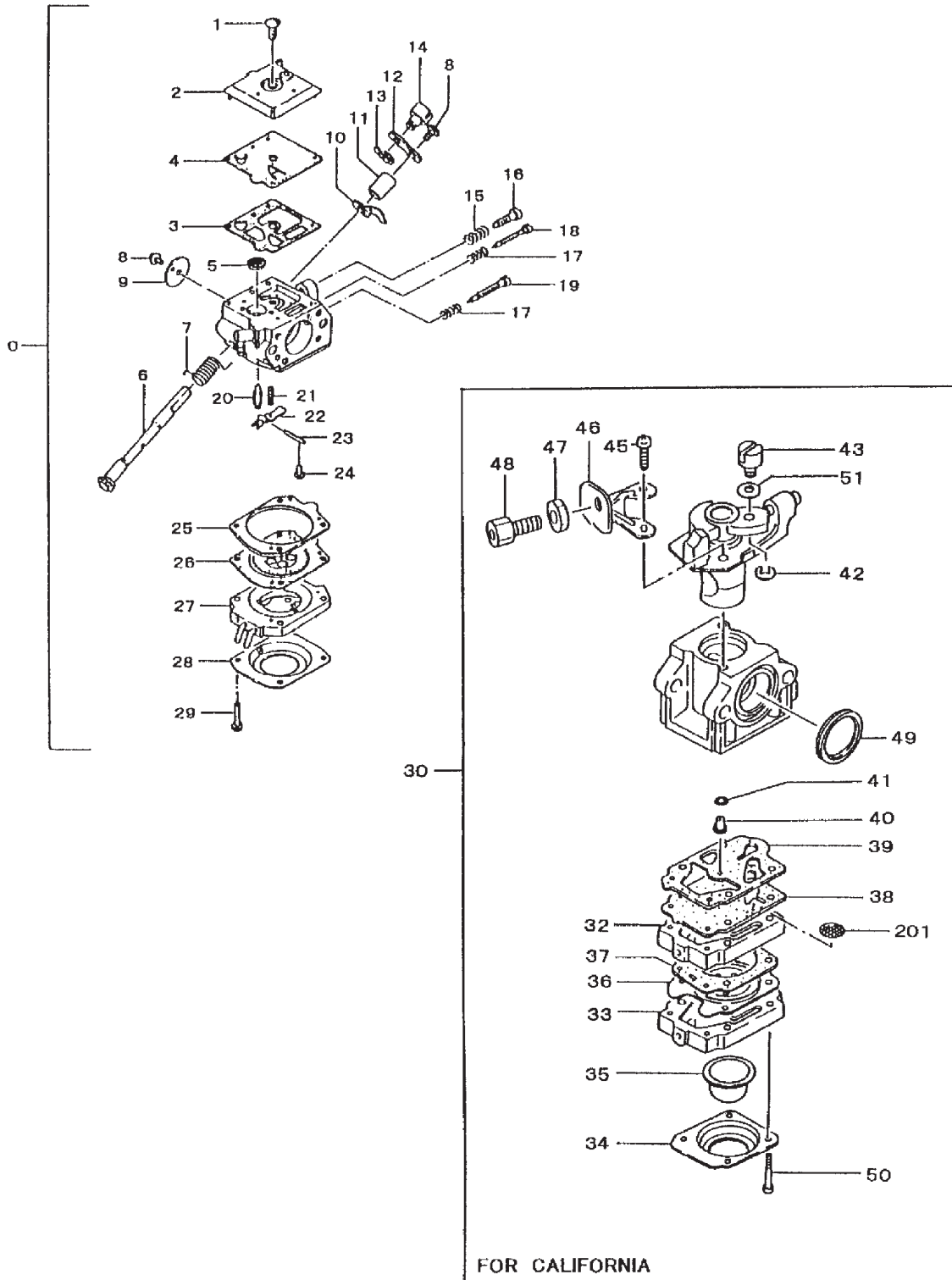
ITEM	PART NUMBER	DESCRIPTION	QTY	COMMENTS
2-2	99011050161	SCREW,5X16	4	
2-3	99210050012	WASHER,S,5	4	
2-4	99201050011	WASHER,5	4	
2-6	7370500420	GASKET,MUFFLER	1	
2-7	70505008900	MUFFLER,ASS'Y	1	
2-8	71905008800	PIPE,MUFFLER	1	
2-9	73205008200	ARRESTER,SPARK	1	
2-10	7510500820	GASKET, TAIL PIPE	1	
2-11	72105008801	PIPE,TAIL	1	
2-12	99210040012	WASHER,S,4	2	
2-13	99011040101	SCREW,4X10	2	
2-14	75105004212	GASKET,MUFFLER	2	
2-15	99201080011	WASHER,8	2	
2-16	75005004201	BOLT,SPECIAL	2	
2-17	99201060011	WASHER,6	1	
2-18	99210060012	WASHER,S,6	1	
2-19	99011060121	SCREW,6X12	1	
2-20	99011050201	SCREW,MX20	2	
2-21	99210050012	WASHER,S,5	2	
2-22	99201050011	WASHER,5	2	
2-23	99011060201	SCREW,6X20	1	
2-24	99210060012	WASHER,S,6	1	
2-25	99201060011	WASHER,6	1	
2-26	73805015200	PROTECTOR,MUFFLER	1	
2-27	99011060101	SCREW,6X10	1	
2-28	99210060012	WASHER,S,6	1	
2-30	01605004200	SHROUD,CYLINDER	1	
2-36	4030501521	GASKET, INSULATOR	1	R203651~
2-37	40405015801	INSULATOR,CARBURETOR	1	~R203650
2-37	4040502480	INSULATOR,CARB. (CA)	1	R203651~
2-38	99201050011	WASHER,5	2	
2-39	99210050012	WASHER,S,5	2	
2-40	99011050251	SCREW,5X25	2	
2-41	4020174020	GASKET,CARBURETOR	1	~R203650
2-41	4020602K21	GASKET,CARBURETOR	1	R203651~
2-42	87805015200	BRACKET	1	~R203650
2-44	99101060013	NUT,6	1	
2-45	89401401201	RECEIVER, OUTER	1	
2-46	44225016801	PUMP, PRIMING	1	~R203650

### ENGINE, MUFFLER, AIR CLEANER, FUEL SYSTEM • FIGURE 2

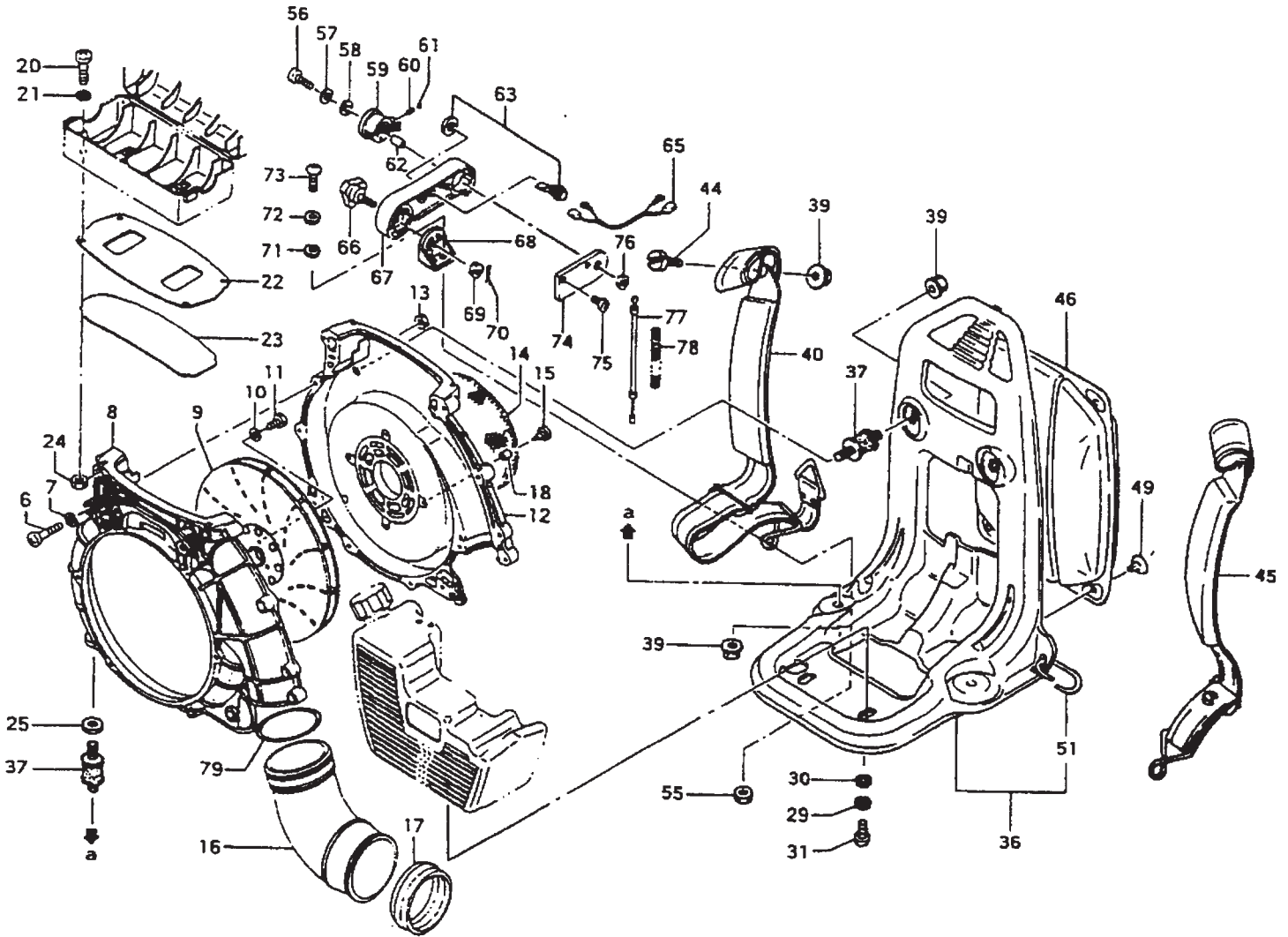
ITEM	PAR T NUMBER	DESCRIPTION	QTY	COMMENTS
2-47	99220100010	WASHER,10 INNER TOOTHED	1	
2-48	99111100011	NUT,10	1	
2-49	70002504100	PIPE,FUEL,2.5X4X100	1	
2-50	70002504105	PIPE,FUEL,2.5X4X105	1	~R203650
2-50	7000250408	PIPE,FUEL 2.5X4X80	1	R203651~
2-51	53432710200	GROMMET,FUEL PIPE	1	
2-52	22305015900	PIPE,FUEL,3X5X280	1	
2-53	68004001200	CLIP,5.2	1	
2-54	67501630900	FILTER,FUEL	1	
2-55	5950502490	CAP,TANK	1	~T236710
2-55	5950130890	CAP, TANK	1	T236711~
2-57	5910501800	TANK,SET TBL-505	1	~R203650 Ref. Bulletin PI-3061
2-57	5910503282	TANK, TBL-505 (CA)	1	T236710~
2-57	5910503382	TANK,FUEL	1	T236711~
2-58	6050501820	PLATE,TANK	1	Plate not shown
2-59	19805015800	CLAMP,CORD	1	
2-60	6290080390	INNER,TANK CAP	1	Fits old cap only (not shown)
2-61	43605015200	BASE,CLEANER	1	
2-62	20105015200	SEAL,DUST	1	
2-63	52305015801	ROD,CHOKE	1	
2-64	52805015201	VALVE,CHOKE	1	
2-65	7080501520	SHIM,CHOKE VALVE	1	
2-66	99200050011	WASHER,SMALL,5	1	
2-67	99210050012	WASHER,S,5	2	
2-68	99011050501	SCREW,5X50	2	
2-71	46605015801	BAND,CLEANER	1	
2-72	43705015200	TUBE,CLEANER	1	
2-73	43105015201	GASKET,CLEANER	2	
2-74	42505015200	CORE,CLEANER	1	
2-75	44405015200	ELEMENT,CLEANER	1	
2-76	42333111201	BODY,CLEANER	1	
2-79	70605008801	MUFFLER	1	
2-80	5610007020	COVER,AIR VENT	1	
2-81	6460661290	VALVE	1	
2-82	68000206200	CLIP,5.5	1	
2-83	5650503220	PIPE,AIR VENT	1	
2-84	5640661190	VENT,AIR ASSY	1	T236711~



ITEM	PART NUMBER	DESCRIPTION	QTY	COMMENTS
3-0	7620501591	STARTER, RECOIL ASSY	1	~Q234210
3-0	7620422090	STARTER,RECOIL ASS'Y	1	Q234211~
3-1	81506000200	METAL,STARTER HANDLE	1	~Q234210
3-1	8350422020	CAP,HANDLE	1	Q234211~
3-2	7850422020	HANDLE,STARTER	1	
3-3	77205015800	BODY,RECOIL STARTER	1	~Q234210
3-3	7720422080	BODY,RECOIL STARTER	1	Q234211~
3-4	77906000200	SPRING,RECOIL	1	~Q234210
3-4	7790422020	SPRING,RECOIL	1	Q234211~
3-5	78305004200	ROPE,STARTER,3.8X1070	1	~Q234210
3-5	7830422020	ROPE,STARTER	1	Q234211~
3-6	76905015200	REEL,STARTER ROPE	1	~Q234210
3-6	7690422020	REEL,STARTER ROPE	1	Q234211~
3-7	7880501521	PAWL,STARTER	1	~Q234210
3-8	80105015200	WASHER,STARTER PULLEY	1	~Q234210
3-10	8370501521	FRICTION PLATE	1	~Q234210
3-11	82205015200	SHIM,PULLEY	1	~Q234210
3-12	8390423020	BOLT	1	~Q234210
3-12	8390422020	SCREW,SET	1	Q234211~

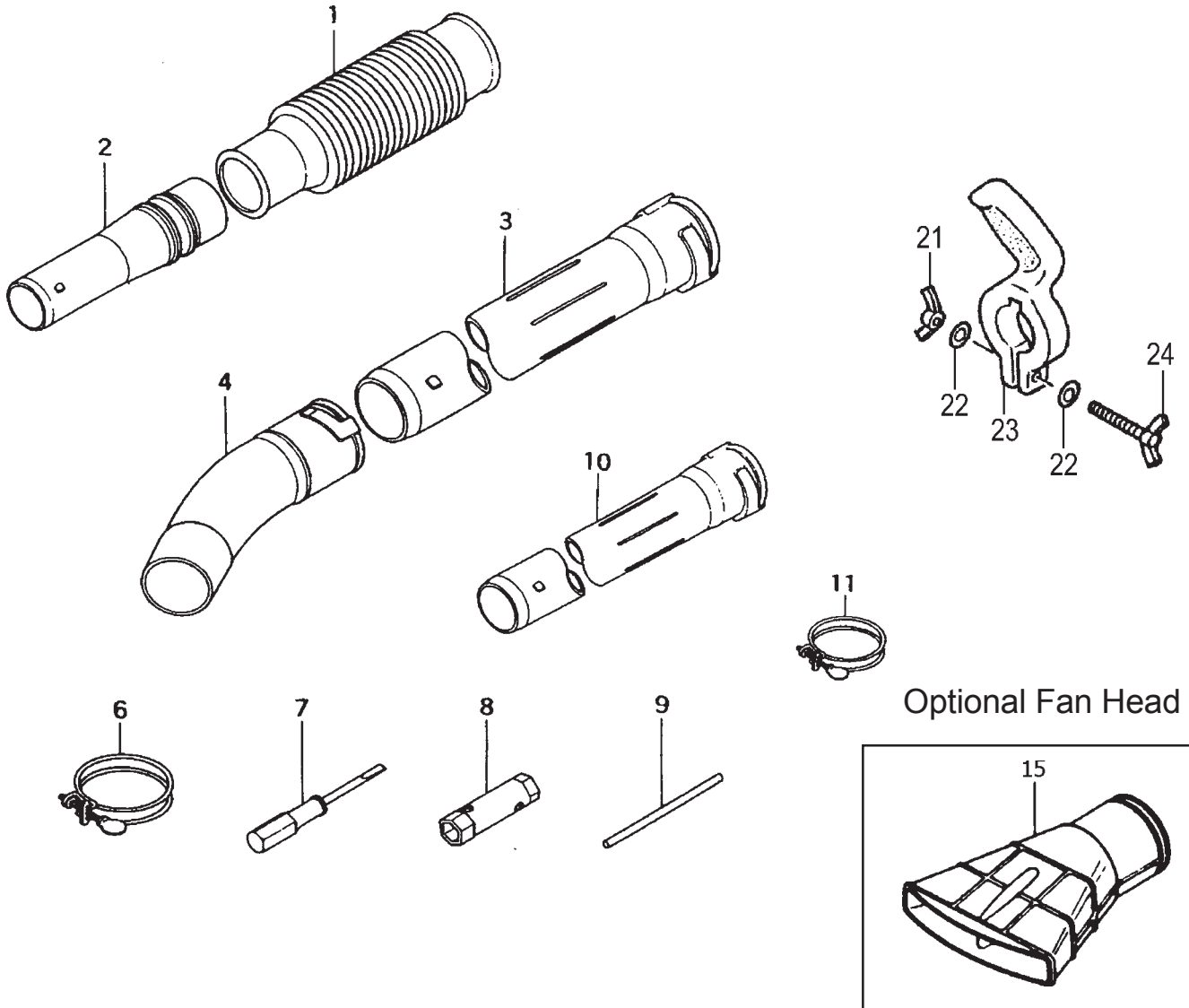


ITEM PA	RT NUMBER	DESCRIPTION	QTY	COMMENTS
4-0	45525037900	CARBURETOR ASSY	1	~R203650
4-1	51425001200	SCREW, SET	1	
4-2	57525012200	BODY, PUMP	1	
4-3	---	(1) DIAPHRAGM, PUMP	1	(1) Contained in :
4-4	---	(1)(2) GASKET, PUMP	1	Carb Repair Kit 650-25032-910
4-5	---	(1) SCREEN, INLET	1	(2) Contained in :
4-6	46425031800	SHAFT, THROTTLE	1	Carb. Gasket/Dia. Kit 652-25032-910
4-7	48625035200	SPRING, THROTTLE	1	(not available individually)
4-8	46725003200	SCREW, SHUTTER	2	
4-9	48825001200	VALVE, THROTTLE	1	
4-10	55925012200	PLATE, STOP	1	
4-11	43725031200	SLEEVE	1	
4-12	49125035200	LEVER, THROTTLE	1	
4-13	48925008200	RING, STOP	1	
4-14	53925101200	SWIVEL	1	
4-15	46325032200	SPRING, IDLE ADJUST	1	
4-16	46225032200	SCREW, IDLE ADJUST	1	
4-17	62325032200	SPRING, ADJUST, HI/LOW	2	
4-18	46125035200	SCREW, IDLE ADJUST	1	
4-19	46025035200	SCREW, LOW ADJUST	1	
4-20	---	(1) NEEDLE VALVE	1	
4-21	47725012200	SPRING, VALVE	1	
4-22	---	(1) LEVER, CONTROL	1	
4-23	---	(1) PIN, FLOAT	1	
4-24	54625001200	SCREW, SET, HINGE PIN	1	
4-25	---	(1)(2) GASKET, DIAPHRAGM	1	
4-26	---	(1)(2) DIAPHRAGM, METERING	1	
4-27	45425032800	PURGE, AIR	1	
4-28	47625032200	COVER, DIAPHRAGM	1	
4-29	54825016200	SCREW, SET	4	
4-30	4552518490	CARBURETOR ASSY	1	R203651~ CARB approved
4-32	5752515380	BODY, PUMP	1	
4-33	4422515180	PUMP, PRIMING	1	
4-34	4762515120	COVER, DIAPHRAGM	1	
4-35	44725108200	BULB, PRIMING	1	
4-36	---	DIAPHRAGM, METERING	1	--- Contained in :
4-37	---	GASKET, DIAPHRAGM	1	Carb. Repair Kit 650-25124-900
4-38	---	DIAPHRAGM, PUMP	1	(not available individually)
4-39	---	GASKET, PUMP	1	
4-40	5992000W55	JET, MAIN #55	1	
4-41	---	O-RING	1	
4-42	48925100200	RING, STOP	1	
4-43	53925120200	SWIVEL	1	
4-45	51425100200	SCREW, THROTTLE SET	2	
4-46	54425164200	STAY, ADJUST, CABLE	1	
4-47	99101060013	NUT, 6	1	
4-48	61425137200	ADJUSTER, CABLE	1	
4-49	4310634C200	GASKET, CLEANER	1	
4-50	5482515120	SCREW, SET	4	
4-51	5492516520	WASHER, THRUST	1	
4-201	---	SCREEN, INLET	1	

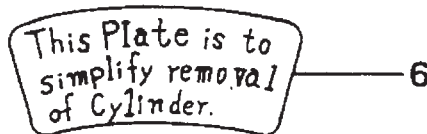
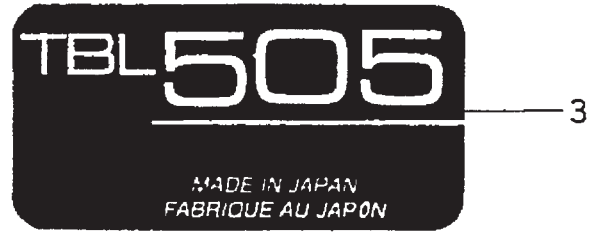


ITEM	PAR T NUMBER	DESCRIPTION	QTY	COMMENTS
5-6	99011050351	SCREW,5X35	3	
5-7	99201050011	WASHER,5	3	
5-8	0103131380	CASE,FAN E	1	
5-9	12731307200	FAN	1	~N013860
5-9	1270501820	FAN	1	N013861~
5-10	99210060042	WASHER,S,6	3	
5-11	99021060302	BOLT,6X30	3	
5-12	01131310200	CASE,FAN,S	1	
5-13	99101050011	NUT,5	3	
5-14	05031307200	SCREEN	1	
5-15	99311050202	SCREW,TAPPING,5X20	4	
5-16	27031310200	PIPE,BLOW	1	
5-17	10031310200	BAND,PIPE	1	
5-18	06031310200	COLLAR	4	
5-20	99011060351	SCREW,6X35	4	
5-21	99201060011	WASHER,6	4	
5-22	59331310200	GASKET,OIL SEAT	1	
5-23	01231310200	PLATE,AIR GUIDE	1	
5-24	99101060011	NUT,6	4	
5-25	0293131420	NUT,6,SPECIAL	2	
5-29	99210060012	WASHER,S,6	2	
5-30	0273131320	WASHER,3.2X25	2	
5-31	99011060161	SCREW,6X16	2	
5-36	0203131380	FRAME	1	
5-37	03031307200	CUSHION	4	~N180785
5-39	0293131320	NUT,SPECIAL	6	
5-40	0193131980	STRAP SHOULDER	1	
5-44	99014060161	SCREW,6X16	2	
5-45	0193131980	STRAP SHOULDER	1	
5-46	0213131880	CUSHION	1	
5-49	0463131320	FASTENER	4	
5-51	0453131320	RING,HOLDING	2	
5-55	99178060010	NUT,LOCK,6	2	
5-56	99011060251	SCREW,6X25	1	
5-57	99210060012	WASHER,S,6	1	
5-58	99201060011	WASHER,6	1	
5-59	26331310200	LEVER,THROTTLE	1	
5-60	33331310200	SPRING,THROTTLE LEVER	1	
5-61	33431310200	BALL,STEEL 5/32	1	

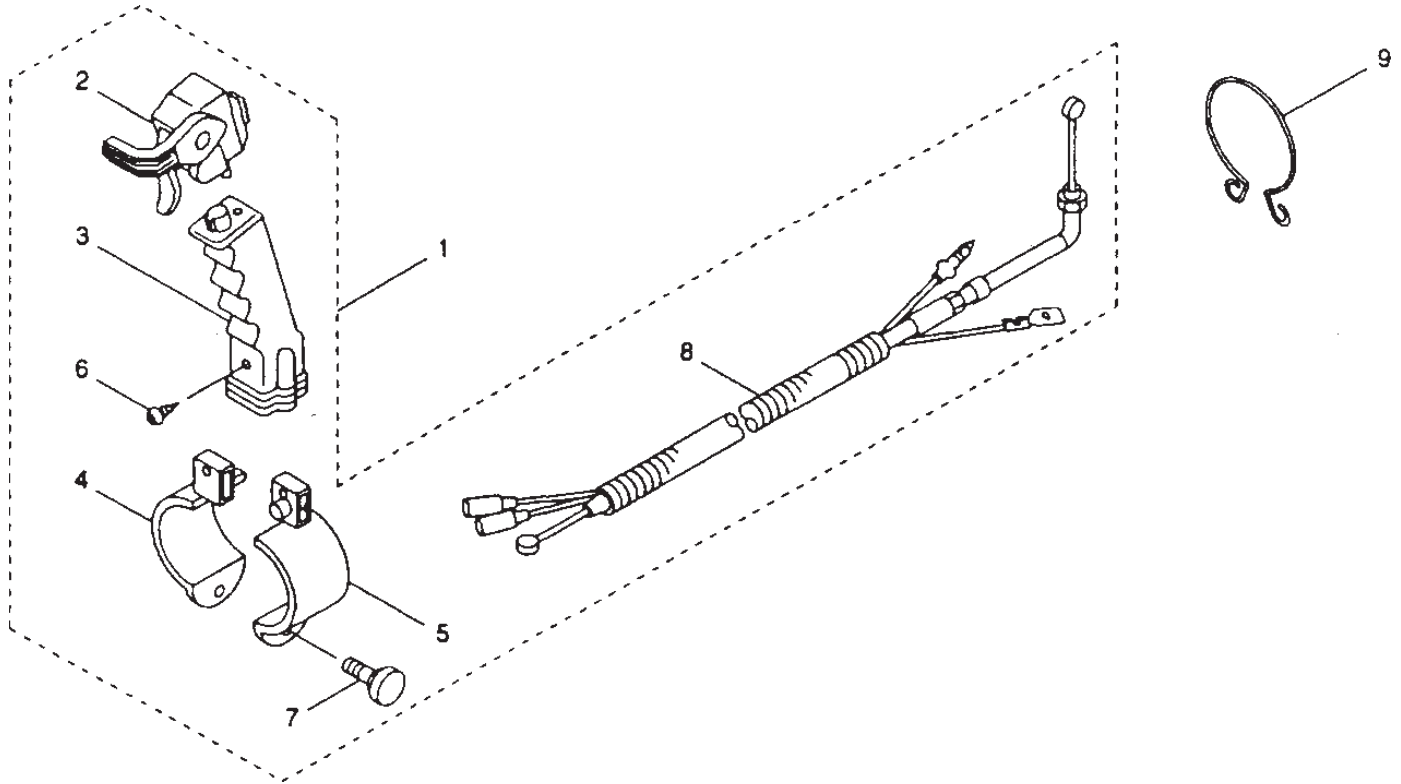
ITEM	PAR T NUMBER	DESCRIPTION	QTY	COMMENTS
5-62	25631310200	COLLAR	1	
5-63	16201300900	SWITCH,STOP	1	
5-65	17805015800	CORD,STOP	1	
5-66	3353131380	KNOB	1	
5-67	25031310200	ARM,THROTTLE LEVER	1	
5-68	0403131320	BRACKET,THROTTLE LEVER	1	
5-69	99178080010	NUT,8	1	
5-70	99290200150	PIN,SPLIT	1	
5-71	99201060011	WASHER,6	2	
5-72	99210060012	WASHER,S,6	2	
5-73	99011060201	SCREW,6X20	2	
5-74	24731310200	COVER,THROTTLE LEVER ARM	1	
5-75	99311040102	SCREW,TAPPING,4X10	2	
5-76	99101060011	NUT,6	1	
5-77	88505015800	WIRE,THROTTLE	1	~R203650
5-77	8850502480	WIRE,THROTTLE (CA)	1	R203651~
5-78	16410027000	TUBE,PROTECTION	1	
5-79	99967070020	O-RING,P-70	1	



ITEM	PART NUMBER	DESCRIPTION	QTY	COMMENTS
6-1	10131310200	PIPE,FLEXIBLE	1	
6-2	10231310200	PIPE,SWIVEL	1	
6-3	10331310200	PIPE,STRAIGHT,LONG	1	
6-4	10431310200	PIPE,BENT	1	
6-6	11031310200	CLAMP,WIRE 92	1	
6-7	86420000210	SCREW DRIVER,STRAIGHT	1	
6-8	8262000080	SPANNER,COMBI,17X19	1	
6-9	95120000200	HANDLE,8X120	1	
6-10	30531310200	PIPE,STRAIGHT,SHORT	1	
6-11	11131305200	CLAMP,WIRE 78	1	
6-15	27331307200	FAN HEAD	1	OPTIONAL
6-21	99161060012	NUT,WING,6	1	
6-22	99201060011	WASHER,6	2	
6-23	26724	HANDLE,TBL	1	
6-24	99060060501	BOLT,WING 6X50	1	



ITEM	PART NUMBER	DESCRIPTION	QTY	COMMENTS
7-1	95031310200	DECAL, PRO-FORCE A	1	
7-2	91605015200	DECAL, CAUTION	1	
7-3	9063131320	DECAL	1	
7-4	91505015200	DECAL, SYMBOL	1	
7-5	95131310200	DECAL, PRO-FORCE B	1	
7-6	91905004200	DECAL, CAUTION	1	



ITEM	PART NUMBER	DESCRIPTION	QTY	COMMENTS
1	29603	KIT, THROTTLE, TBL	1	
2	29873	LEVER, THROTTLE	1	
3	29878	GRIP	1	
4	29880	BAND, (RIGHT)	1	
5	29879	BAND, (LEFT)	1	
6	29881	SCREW, 5X20	1	
7	29882	BOLT, KNOB	1	
8	29883	WIRE. THROTTLE, ASSY	1	
9	29884	CLAMP	1	